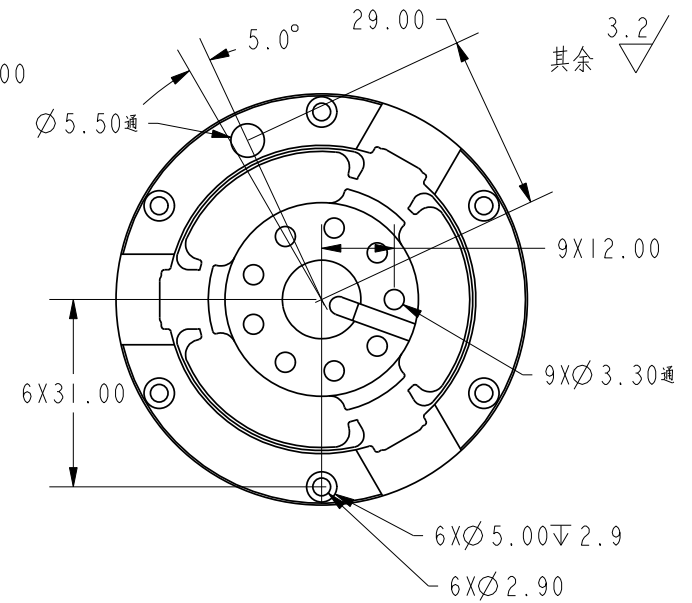
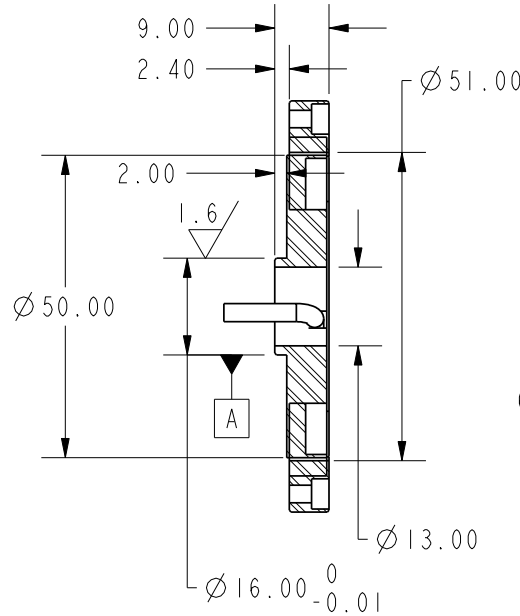
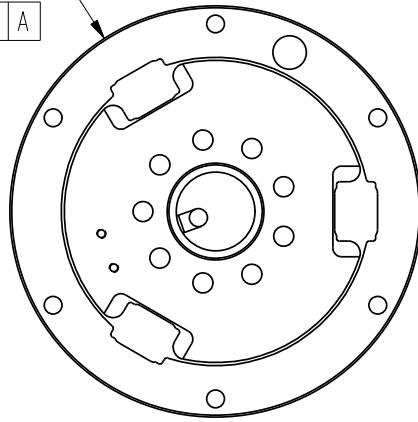
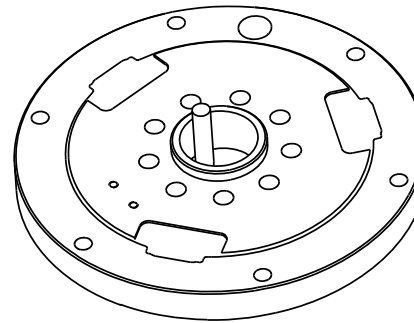


$\varnothing 68.00 \begin{matrix} 0 \\ -0.02 \end{matrix}$
 $\text{◎} \begin{matrix} 0.015 \\ A \end{matrix}$



NOTE: THE OVERLOAD CAPACITIES FOR BENDING MOMENT, AXIAL AND RADIAL FORCE EXCEED 300% OF THOSE USED FOR CROSSTALK MEASUREMENT



SPECIFICATIONS

| | |
|--|-------------|
| CAPACITY (Nm) | 20 |
| OVERLOAD CAPACITY (%F.S.) | 300 |
| OUTPUT @ F.S. (V), AFTER AMPLIFIER | 2.5±2 |
| POWER SUPPLY (V) | 5V |
| BRIDGE RESISTANCE (Ω) NOMINAL | 350 |
| NON-LINEARITY (%F.S.) | 0.5 |
| HYSTERESIS (%F.S.) | 1.0 |
| OPERATING TEMP. RANGE (°C) | -20 TO +100 |
| CROSSTALK (%F.S.) | 1.0 |
| AXIAL FORCE FOR CROSSTALK (N) | 100 |
| RADIAL FORCE FOR CROSSTALK (N) | 100 |
| BENDING MOMENT FOR CROSSTALK (Nm) | 10 |
| TORSION ANGLE (CALCULATED) | 0.04° |
| TORSIONAL STIFFNESS (KNm/RAD) | 30 |
| MASS (KG) | 0.15 |

WIRING CODE

| COLOR | FUNCTION |
|-------|----------|
| RED | +EX |
| GREEN | +SIG |
| BLACK | GND |
| BROWN | -SIG |

SUNRISE INSTRUMENTS

www.srisensor.com

SINGLE AXIS TORQUE LOADCELL
D53MM, 20 Nm

UNLESS OTHERWISE SPECIFIED
DIMENSIONS ARE IN MM

M2210M1

REV.
A